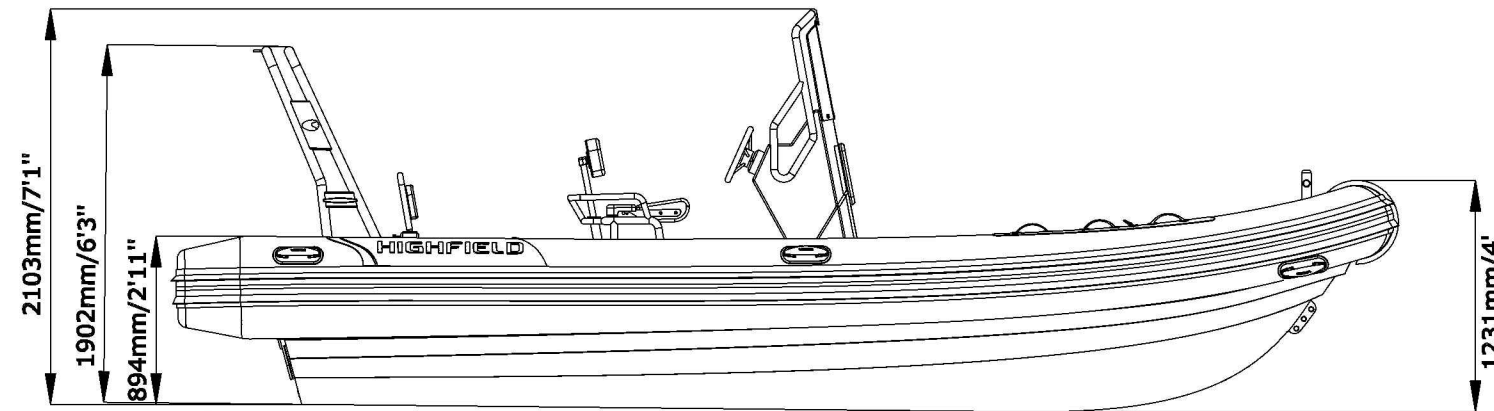
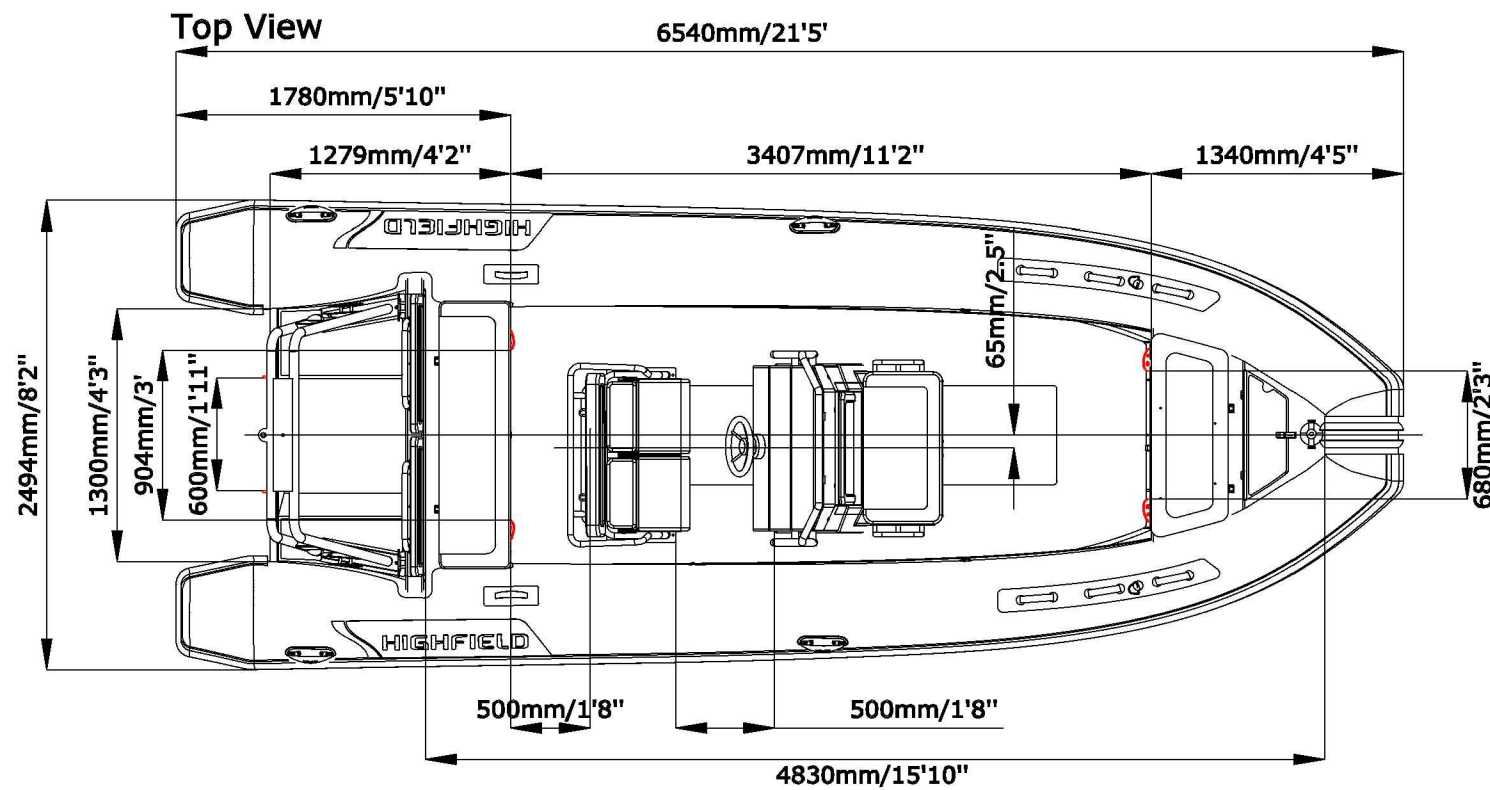


PATROL 660

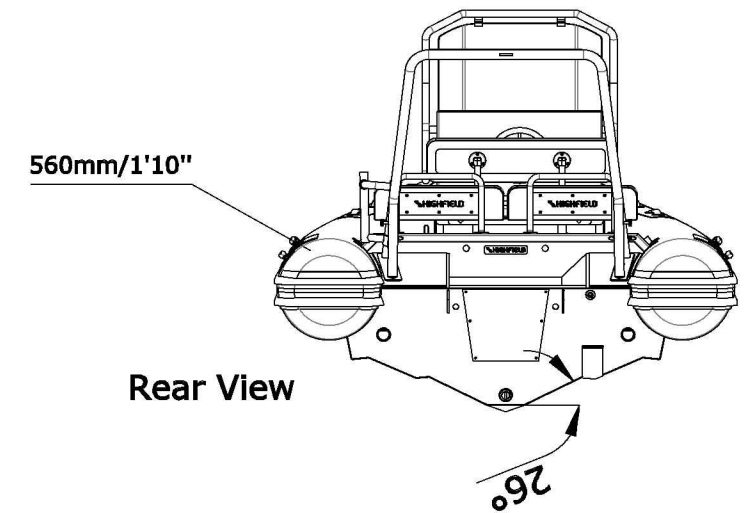
SPECIFICATIONS



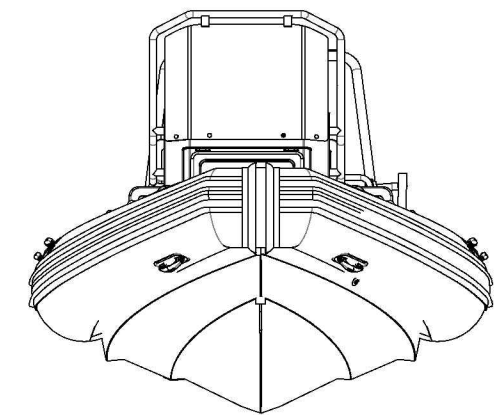
Side View



Top View



Rear View



Front View

SPECIFICATIONS AND MAXIMUM CAPACITIES (Subject to change without notice. Tolerances: Dimensions +/-3% Weight +/-5%)

MODEL	ISO 6185 PART	ISO 6185																AIR CHAMBERS						
			KG	LB	#	KG	LB	Length	KG	LB	Maximum		Recommended	Maximum Speed			KG		LB	Wet Weight (Approximate) 200HP (149.2KW) +Fuel	KG	LB	PSI	BAR
			KG	LB	KW	HP	KW				HP	KT		MPH	Km/h									
PATROL 660	3	C	1287	2837	13	975	2150	XL	260.7	575	149.2	200	111.9	150	/	/	/	657	1448	1019.2	2247	6	3.63	0.25

Weight includes: console ,seat ,rollbar